



*SUPER TARGET
MIDDLE EAST
FZ. LLC*

CMAK
Crane Systems

CKV

CRANES

OVERHEAD CRANE

CMAK
Crane Systems



Headquarters & Manufacturing Plant: 2.Organize Sanayi Bölgesi, 10.Yol No:9 Hendek/Sakarya/Turkey

Phone: +90 264 654 59 59. E-mail: sales@cmak.com, info@cmak.com

CMAK USA - (CMAK Inc.) 901 Mittel Drive, Wood Dale, IL 60191, USA Phone: +1 847 879 1139 E-mail: usa@cmak.com

www.cmak.com



CMAK Crane Systems is an expert engineering and manufacturing company focusing on high quality electric crane components.

We reach customers worldwide, through the partners thanks to our affordable products that are produced in one of the most modern production facilities. In addition to our crane systems that are produced with the world's leading technologies, we offer traditions, business ethics and our engineering success to the customers.

We do meet the needs of the market in standard capacity cranes with FEM class, in addition to that, we manufacture high capacity cranes with custom designs.

With continuous research and development, we've formed an ergonomic design which leads easy maintenance and minimum service requirement.

Our Story



Founded in 1977

vast knowledge in industrial cranes and material handling applications



Family Business

laws on continuity and integrity



Corporate Culture

emphasises strictly on business ethics and long-term business success



Our core strengths come from engineering with scientific R&D



Smart Design

Focus solely on high quality production with smart design

INDUSTRIES

- Metals Production
- Power
- General Manufacturing
- Warehouses
- Mining
- Petroleum and Gas
- Paper and Forest
- Shipyards
- Container Handling
- Waste Management
- Automotive
- Workshops



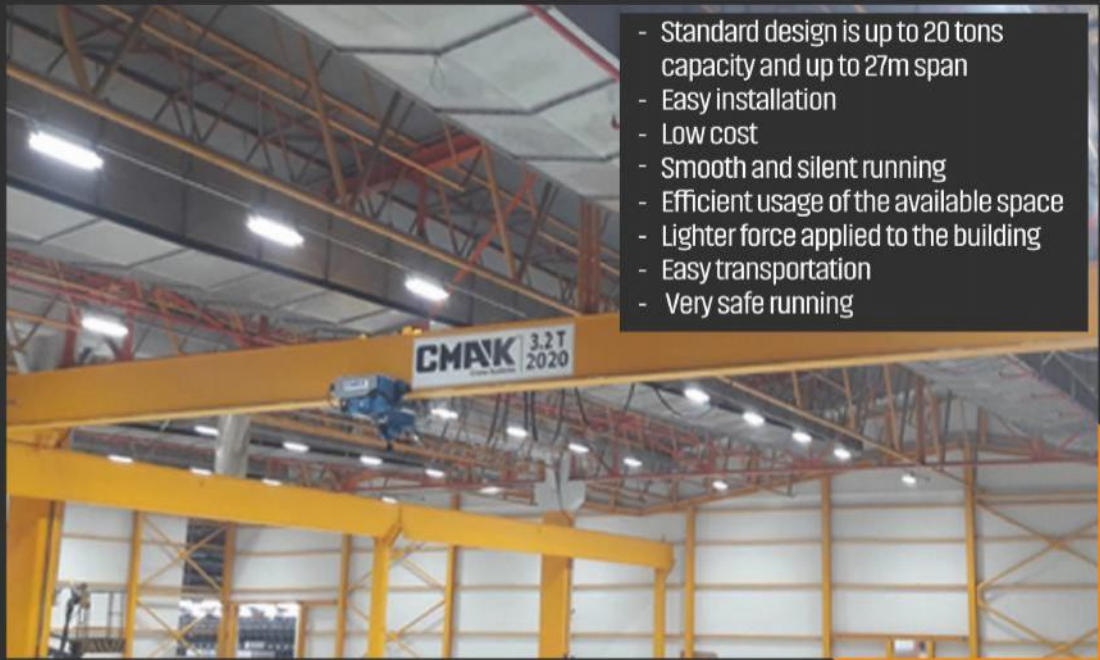
EOT CRANES

CMAK designs and manufactures high efficiency, industrial, single or double girder overhead cranes in FEM standards with the world's leading manufacturing technologies. We provide special solutions to customers with standard products in our product range. All single girder and double girder overhead cranes are driver-controlled for all motions (Long-Travel, Cross-Travel, Hoisting), complete heavy-duty tasks without any problem; while sustaining safe and problem-free operation with electronically-controlled motions.



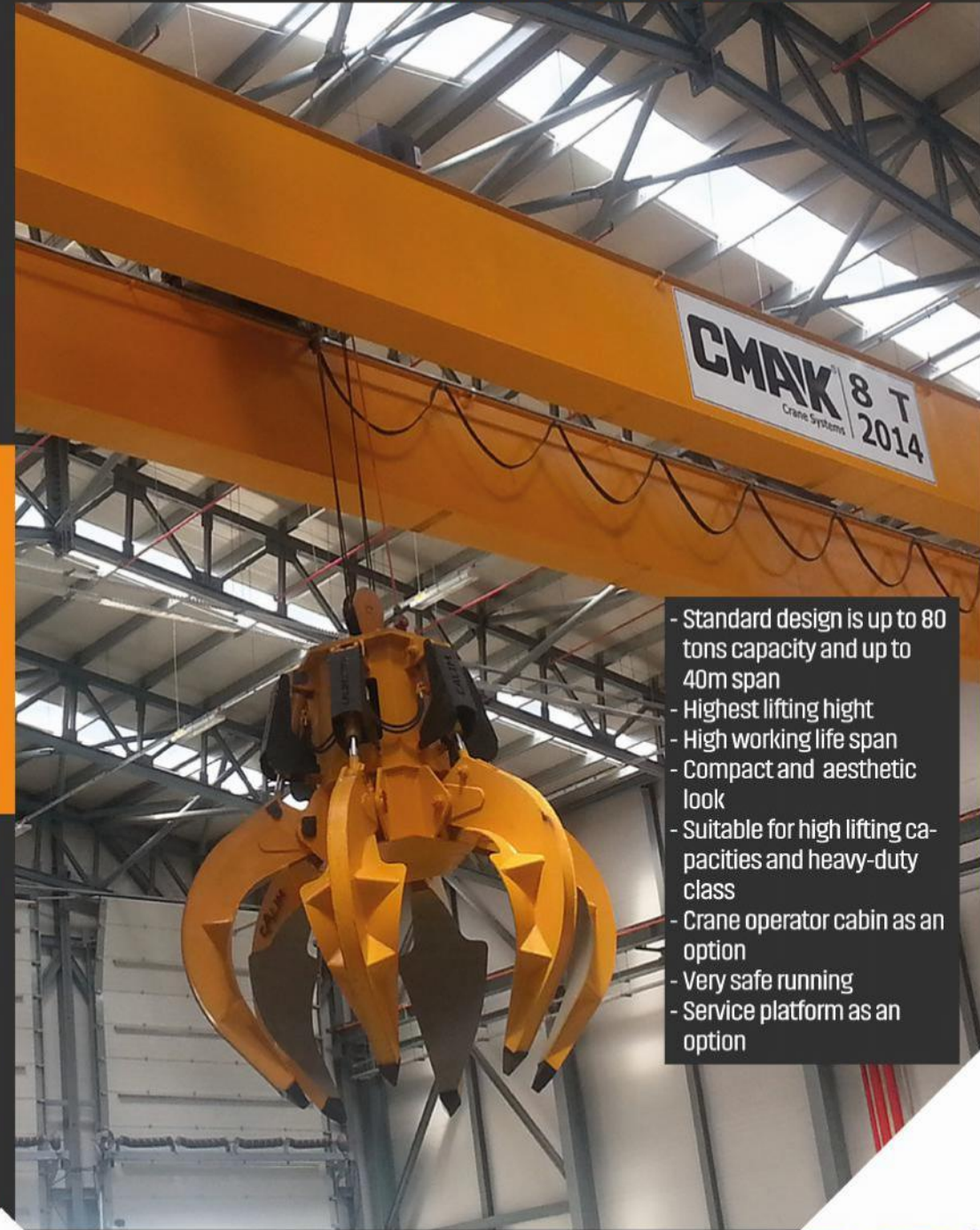
EOT CRANE

1. SINGLE GIRDER



EOT CRANE

2. DOUBLE GIRDER

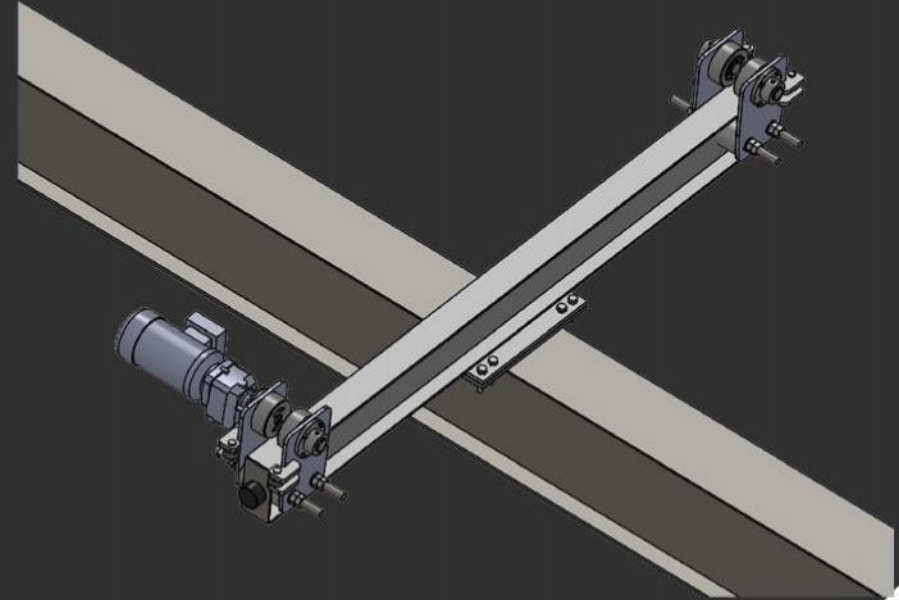
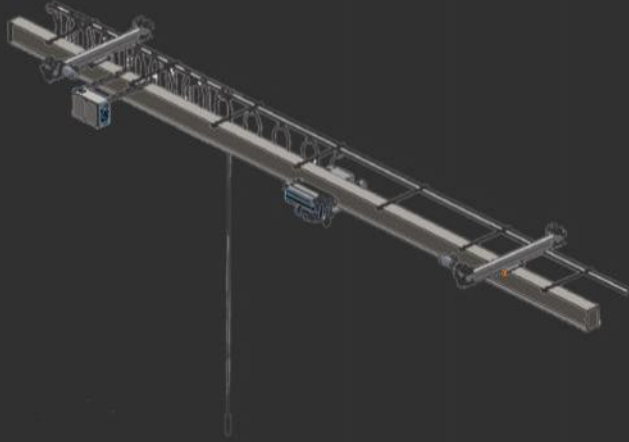


- Standard design is up to 80 tons capacity and up to 40m span
- Highest lifting height
- High working life span
- Compact and aesthetic look
- Suitable for high lifting capacities and heavy-duty class
- Crane operator cabin as an option
- Very safe running
- Service platform as an option

EOT CRANE

3.UNDERSLUNG

- Efficient usage
- Direct connection to the ceiling
- Modular system
- Very safe running
- High working life - span



GANTRY CRANE

CMAK designs and manufactures high-efficiency gantry cranes in FEM standards with the world's leading manufacturing technologies. We provide special solutions to customers with standard products in our product range. All single girder and double girder gantry cranes are driver-controlled for all motions (Long-Travel, Cross-Travel, Hoisting) and complete heavy-duty tasks without any problem, while sustaining safe and problem-free operation with electronically-controlled motions.



GANTRY CRANE

1. SINGLE GIRDER

- Standard design is up to 20 tons capacity and up to 30m span
- No need for building structure
- Cantilever can be added as an option
- Suitable for indoor/outdoor operation
- Crane operator cabin as an option
- Very safe running



STM

SUPER TARGET
MIDDLE EAST
FZ. LLC

GANTRY CRANE

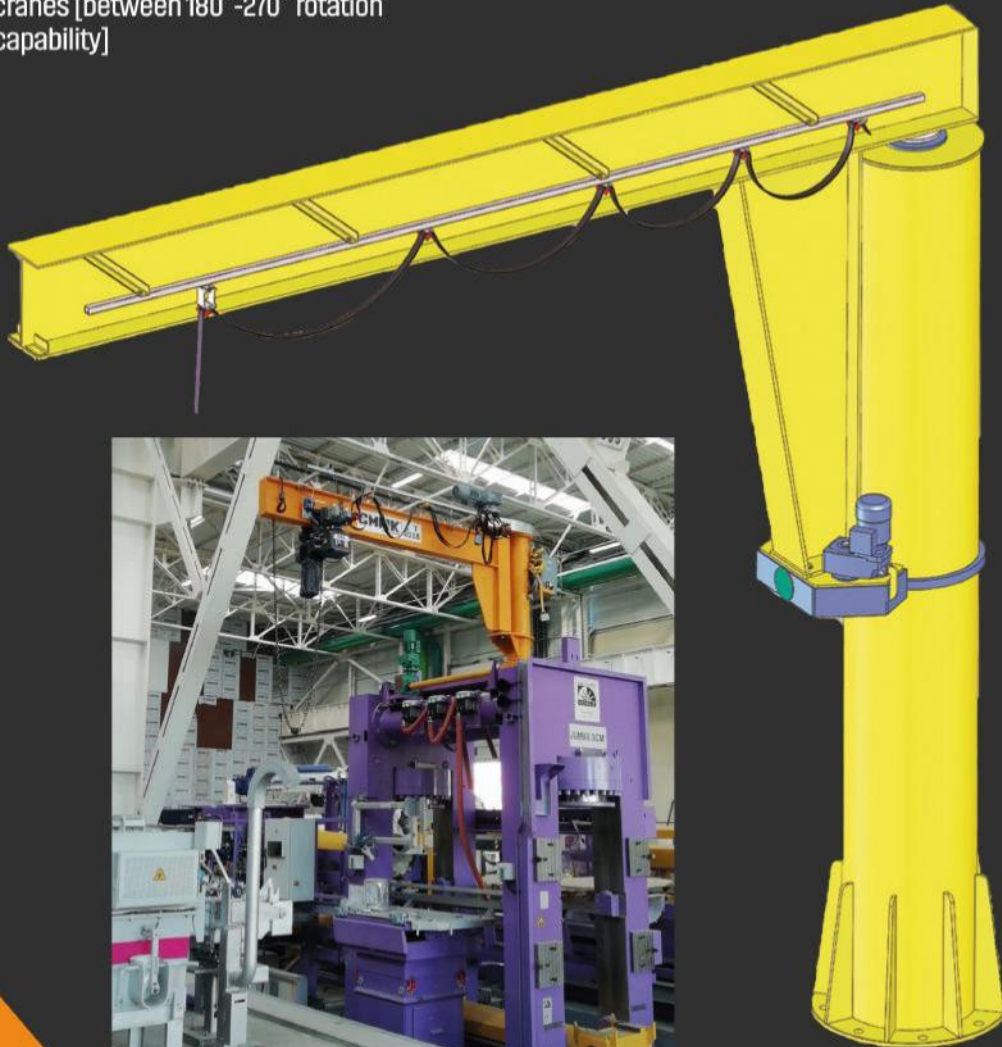
2. DOUBLE GIRDER

- Standard design is up to 80 tons capacity and up to 40m span
- Minimum investment requirement for maximum space optimization
- Cantilever can be added as an option
- Suitable for indoor/outdoor operation
- Efficient usage
- Very safe running
- Service platform as an option



JIB CRANE

- Floor-mounted turning angle JIB cranes [360° rotation capability]
- Console (Wall running) JIB cranes
- Wall-mounted turning angle JIB cranes [180° rotation capability]
- Column mounted turning angle JIB cranes [between 180° -270° rotation capability]

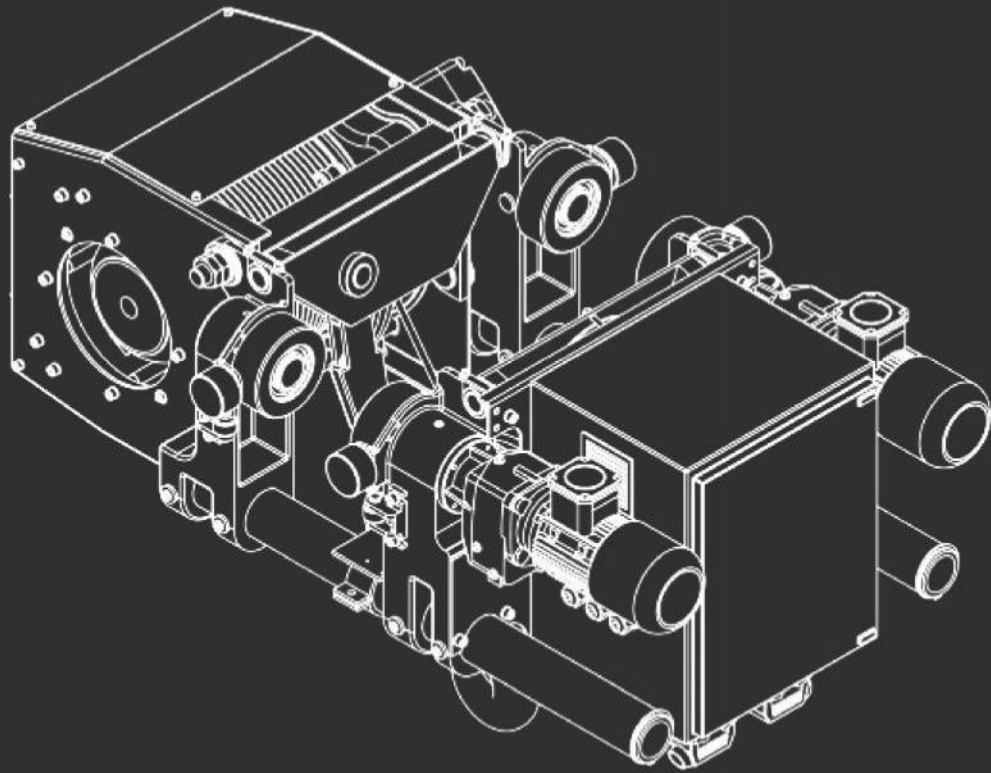


- CMAK JIB cranes increase the production speed of your business and reduce the workload of the larger cranes while performing material handling and placement processes with high efficiency in their locations.
- JIB cranes especially provide the optimum solution for an array of workstations that are lined side by side.
- Higher efficiency when used at narrow spaces or around any machine.
- JIB cranes, used for reducing workloads of the overhead cranes at narrow spaces of the production site, are suitable for carrying capacities from 250kg up to 5000kg.

ALUMINIUM ANODISING CRANE

Anodising cranes are used for healthier and faster processing of aluminium profiles.

- Patented product
- Full automation can be applied
- Precise and true vertical lifting
- With guided carts precise handling
- $\pm 2\text{mm}$ positioning accuracy and can endure hot/dusty environment



OPEN WINCH

CMAK's highly experienced team of engineers can design you the custom application you require, and with your approval, those machines can be manufactured in-house with top-notch quality standard CMAK has.



COMPONENTS

CMK Series Electric Wire Rope Hoists

- ▣ Increased Falls Capability
- ⊗ Maximum Height of Lifting
- ⚡ Maximum Power Economy
- Ⓜ Minimum Hook Drift
- ⊞ Maximum Reachable Area
- 📈 Maximum Wire Rope Service Life
- 🏠 Highly Durable and Modular



- 👍 Long Service Life
- 🔧 Efficient Main Coiling
- Ⓜ Minimum Maintenance Requirement
- ⬆️⬆️ Smooth Acceleration and Deceleration
- 🔌 Service Optimization
- ⊞ Special Bottom and Top Double Layer Limiter

CMX Series Electric Wire Rope Hoists

- 👍 Robust Design
- 👍 Long Service Life
- Ⓜ Minimum Maintenance Requirement
- ⊞ Bottom and Top Hook Movement Limiter
- 🔌 Safe Operation
- 👍 Operator's Health First



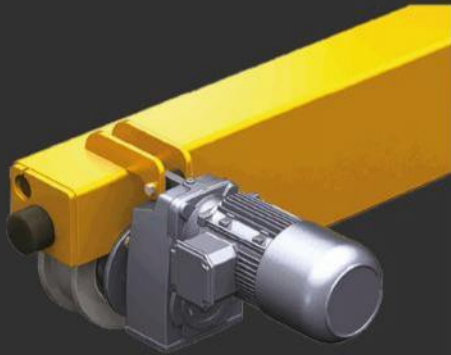
- ⊞ Overload Device
- Ⓜ Rope Guide
- ⬆️⬆️ Direct Driven Drivers and Articulation
- Ⓜ Manual Brake Release
- 📈 High Tensile Wire Rope
- ⚡ High Efficiency

COMPONENTS

End Truck Carriages, Wheel Blocks and Travel Systems

CMAK end truck carriages and long travel systems are produced with high-tech geometrical controls. End truck carriages are designed and produced in FEM classifications to meet the required duty.

- All trolleys have direct-drive systems
- Lifetime lubricated bearings
- Trolleys are in a standard double speed driven by frequency inverters
- F class isolation and IP55 protection
- Modular and easy installation with socket connections



- Heavy Duty
- Natural Rubber bumpers
- Suitable plates for end truck carriage assembly (side/top/top&side)
- Top running / Under the running type
- Compact wheel blocks up to Ø400mm wheel
- GGG70 Graphite Cast Iron Wheels

COMPONENTS

HoistSense+

HoistSense is an advanced electronic system that constantly keeps track of usage, load and critical incidents; while using this information to the advantage of the user to further increase the efficiency and decrease the downtime of the hoist.

Stored Parameters:

- Remaining safe working period (SWP) of the hoist
- Current load on the hook
- Total number of overload incidents
- Total running time of the hoisting motor
- Mean load
- Load spectrum (Light, Medium, Heavy, Very Heavy)
- Total number of starts
- Time to next maintenance (Depending on the usage – Dynamic)
- Duty



Real-Time Monitoring

- Permanent SWP (Safe Working Period) calculation
- Up-to-date information about the remaining duration of service
- Comply with the regulations

Increased Efficiency

- With ultra speed function enabled, HoistSense increases speed to 150% nominal speed on all motions when the load is below 15% of the SWL (Safe Working Load)



Safe Working

- Continuous overload protection with precisely calculated strain gauge load measuring system

Weighing Display

- Real-time display of the loads via strain gauge sensor

Service Optimization

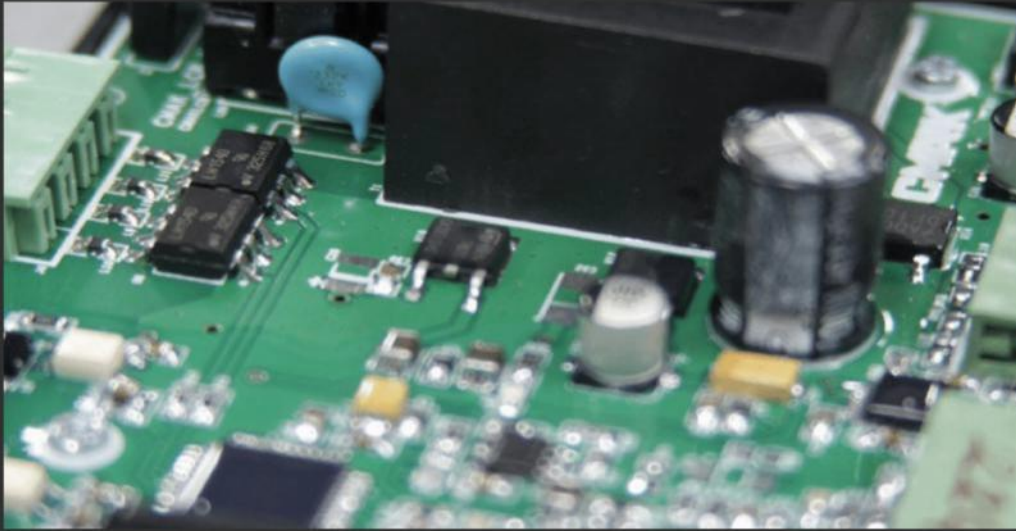
- Available alarms for preventive maintenance periods
- Tracking of past maintenances

Functions

- Weighing and Informative Display
- Overload limiter
- Faster speeds depending on the load
- Dynamic service timer

COMPONENTS

HoistSense+



CMAK HoistSense+

A Game Changer in Crane Monitoring

Industry 4.0 HoistSense+

- Industry 4.0 application with HoistSense+ makes the whole crane transform from a regular one to an automatic crane supervisor
- HoistSense+ can integrate into a generic industrial wifi or mobile data router and connect to the internet to start flow of information securely to CMAK cloud servers to monitor and create reports/alarms for the users in real-time

Informative Display

- With its display mounted on hoist, the HoistSense informs the operator and maintenance crew for critical information (Total runtime, Number of Overloads, Next Service Hour – Dynamic, Remaining SWP%, Number of Starts, Average Load)
- Comply with the regulations

Easy to Use

- HoistSense does not add more buttons or require constantly checking the pushbutton pendant, as the system will start displaying the load on the large display attached to the hoist – easily visible – immediately after the operator starts commanding the crane and the stored information will be shown on the large display after the hoists stays idle for a short period of time

Stand-alone Application

- Can be integrated to any of your hoists

Business Intelligence

How much of an experience and knowledge requires for crane supervision and monitoring?

For HoistSense+ , it is multiple decades of knowledge , which will give you the best insight about what is going on with your crane. With using multiple advanced sensors and historical data, it can predict the problems you might face, thus preemptively acting and advising you to take a proactive approach , letting you avoid or get rid of the electrical, mechanical and operational problems all together

Reporting

HoistSense+ is a unique crane supervisor that works everyday for you with minimum cost. It reports back to you instantly and with neat graphical reports every month, will let you know about how your crane is operating with performance values

Monitoring

HoistSense+ is monitoring the current conditions of the crane including design working period calculations, load sharing, overloads, slackrope, faster speeds depending on the weight of the load, brake wear-tear, electrical and mechanical stability and much more, with the help of advanced sensors

COMPONENTS

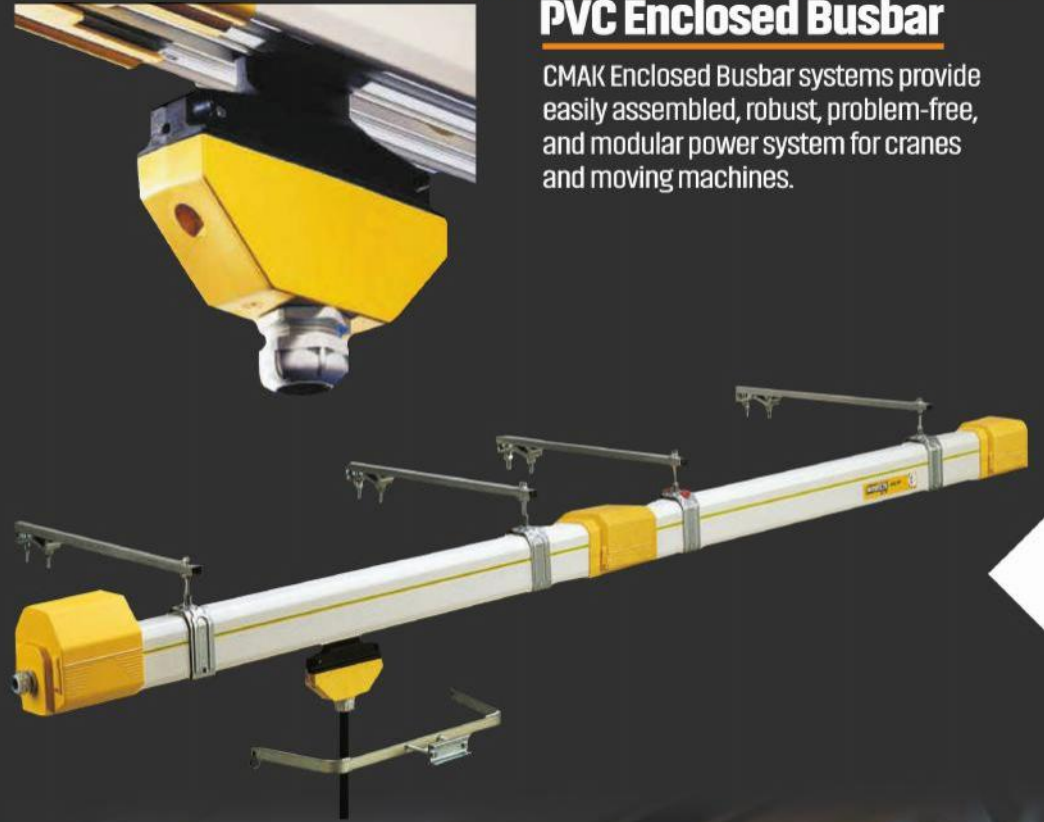
Cable Festoon System

CMAK crane's electricity systems are carefully selected and applied as appropriate crane electricity installation. CMAK electricity systems provide easy installation, modularity and the appropriate solution to your application thanks to the plug/socket system principle.



PVC Enclosed Busbar

CMAK Enclosed Busbar systems provide easily assembled, robust, problem-free, and modular power system for cranes and moving machines.





*SUPER TARGET
MIDDLE EAST
FZ. LLC*





*SUPER TARGET
MIDDLE EAST
FZ. LLC*

Contact Us

TEL : +971 2 5593044

CEL : +971 52 7282308

EMAIL : info@supertargetmiddleeast.com

EMAIL : sales@supertargetmiddleeast.com

WEB : www.supertargetmiddleeast.com

Ras Al Khaimah Economic Zone

United Arab Emirates