



Industrial Machinery

Manufacturing machinery: Machinery used in various manufacturing processes, such as metalworking, woodworking, plastic molding, and assembly.



Industrial Automation

Industrial automation is the use of advanced technology and control systems to automate various industrial processes, such as manufacturing, assembly, and material handling. Automation systems utilize various hardware and software technologies to control and monitor industrial machinery and equipment, with the goal of improving efficiency, productivity, and safety.



Industrial automation can involve a wide range of technologies, including programmable logic controllers (PLCs), human-machine interfaces (HMIs), sensors, actuators, and robotics. These technologies work together to create a highly automated and interconnected system that can be monitored and controlled from a central location.



CONSUMABLE TOOLS SPARE PARTS





.....

ABOUT US

Super Target Middle East is equipment & spare parts trading company with high quality machines tools and part.

Super Target ME is focuses on supplying quality Products, like sheet metal, steel, Wood, duct, Aluminium and metal working machines with excellent after service support and customer satisfaction.

OUR MISSION

To simplify our customers experience through supplying of latest technology high quality durable and reliable industrial Machines, and machine tools Spare parts that is developed by our trusted partners to work with and consistently delight our customers with prompt brand in the machine supply field

OUR VISION

To satisfy our clients through supplying them with industrial machines that will give the ability to design, control, analyse and monitor the tasks in manufacturing, quality control, and worker safety along with being cost effective while producing high quality products



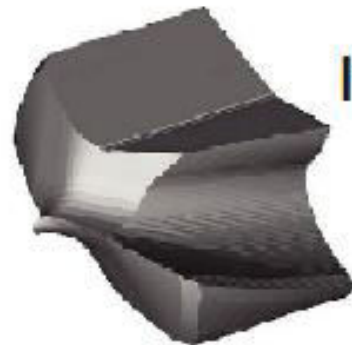
.....

KENNAMETAL PRODUCTS

Kennametal's products include metal cutting tools, such as drills, end mills, reamers, and taps, as well as tooling systems, such as collets, chucks, and holders. The company also offers wear-resistant solutions, such as carbide inserts, and diamond products, which are used in a variety of applications, including machining, mining, and oil and gas drilling.

.....

1. Drill Body
2. Drill Insert
3. Endmill Cutter
4. Drill Holders



Inserts



Drill Body

.....

PLASMA SPARE PARTS & CONSUMABLE

- Plasma Cutting Nozzle
- Plasma Electrode
- Plasma Cutting Shielded
- Plasma Torch Body
- Plasma Electrode Holder
- Plasma Power Source Parts



.....



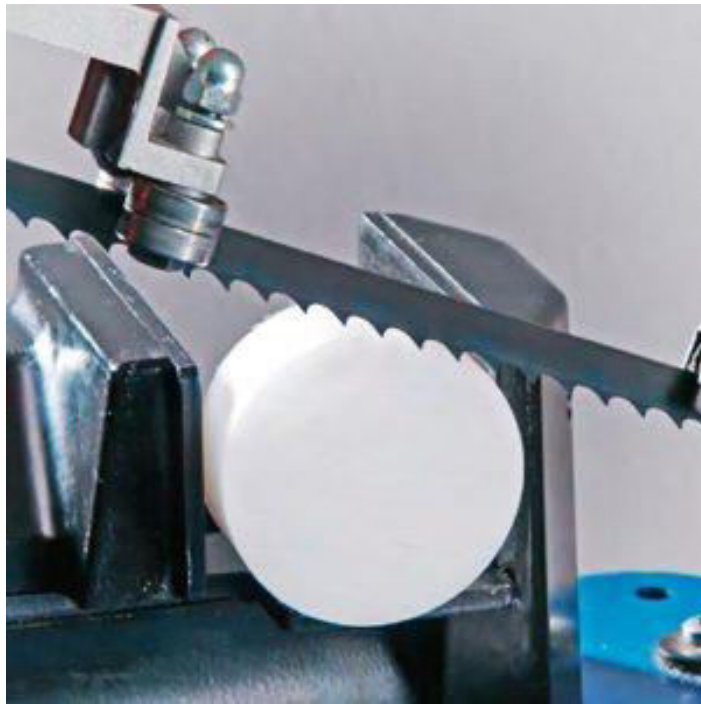
ESAB PLASMA & HYPERTHERM PLASMA

- Plasma Cutting Torch's
- Power Source Spare Parts
- Electromechanical Spare Parts
- All Type of Sensors

.....

Bi Metal & Carbide Bandsaw Blades

- Bi Metal Bandsaw Blades available in all sizes
- High Speed Carbide Blades
- High Performance Coolant oil
- Circular Saw Blades Metal & Wood work



.....

Magnet Drill Machine

1. Magnet Drill Machines
2. Magnet Drill Spare Parts
3. Core Drill for Metal





HYDRAULIC SHEARING HYDRAULIC PRESSBRAKE

- Shearing Blades
- Hydraulic Spare Parts
- Electromechanical Spare Parts
- Press Brake Folding Punch Die
- Leaner Rail & Bearing
- Operating Panel components



STM | SUPER TARGET
MIDDLE EAST
FZ. LLC

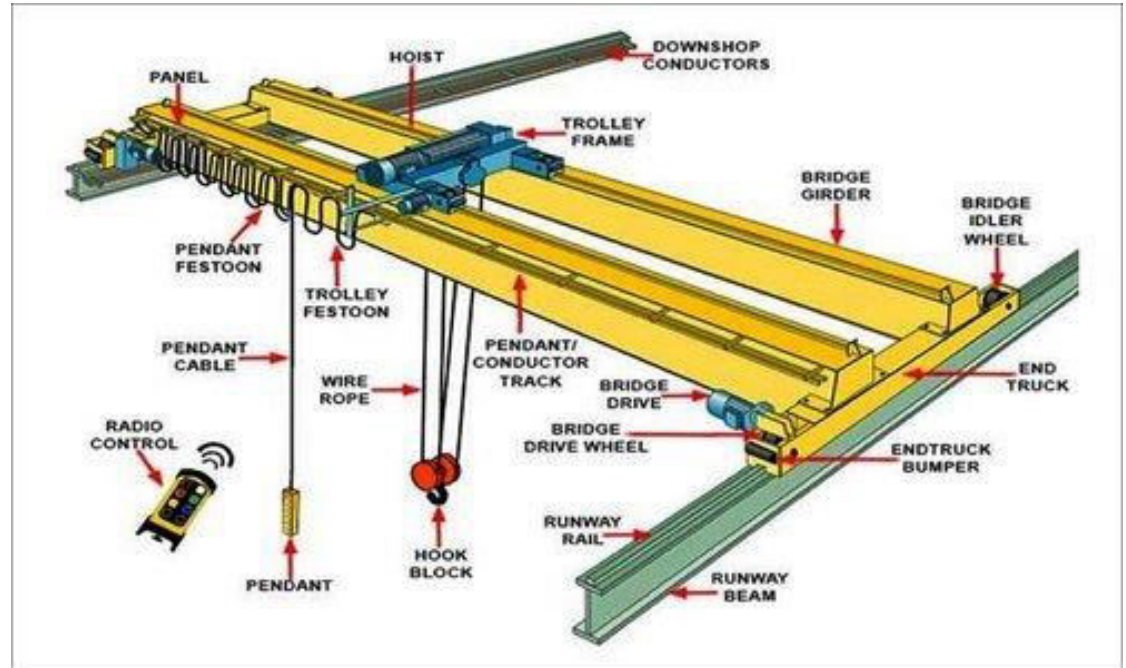
IRON WORKER MACHINE AND SPARE PARTS

- Round Punch & Dies
- Cutting Blades, Notching Blades
- Punch Holder & Punch Sleeves
- Slot Punch Dies & Oblong Punch Die

OVERHEAD CRANE



- Hoist Spare Parts
- Drive Motor Brakes
- Wire Rope & Rope Guides
- Wireless Remote Control
- Anti Collision Sensors



Forklift's Spare Parts

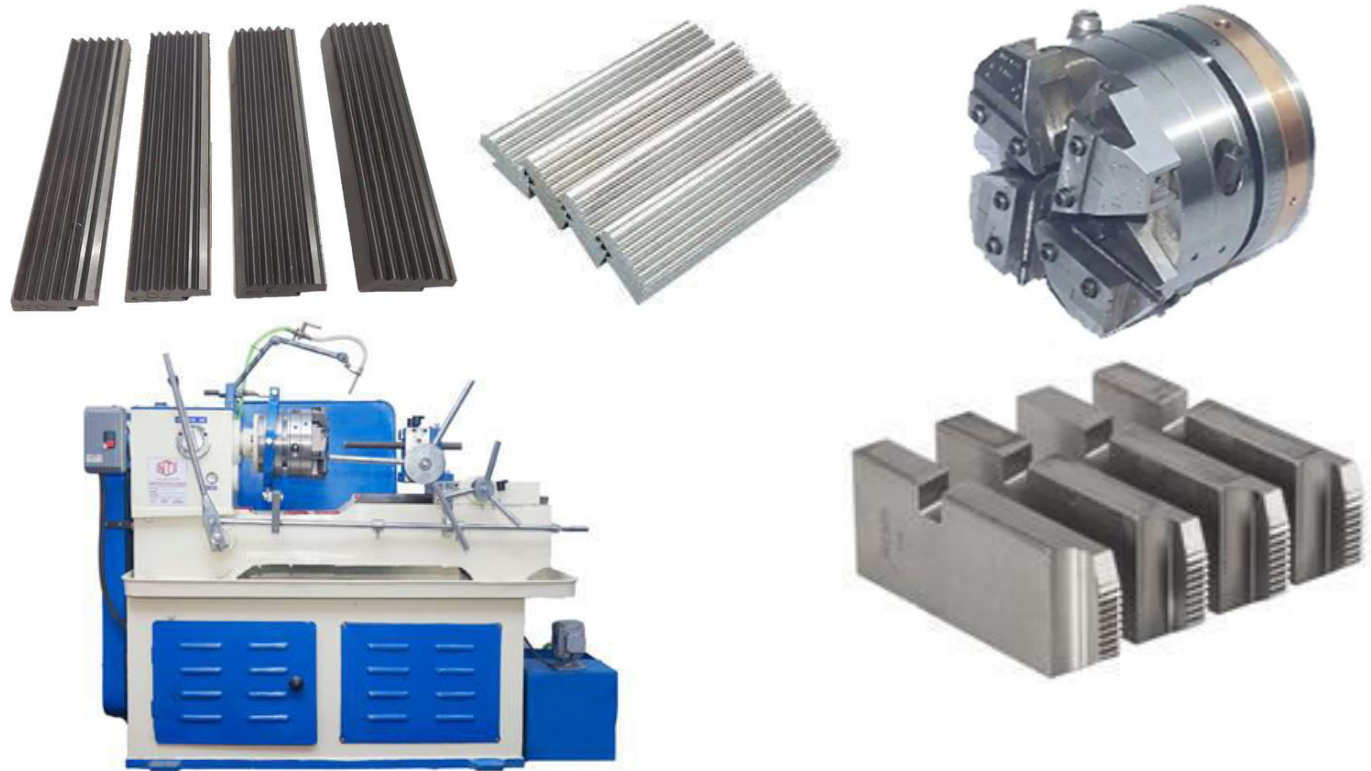
1. Combi lift Side loader
2. Hyster Forklift
3. Doosan Forklift
4. Service Contracts



.....

CHASER HEAD THREAD CUTTING MACHINE

- *Chaser Head Threading Machine & Spare Parts*
- *All Type Of Threading Die's*
- *Ridgid Threading Die's*
- *Thread Cutting oil*
- *Chaser Threading Head*
- *Beveling Machine Carbide Tips*



.....

PLC HARDWARE & PROGRAMING

- PLC Hardware & Programing
- PLC Automation
- PLC Repair & Re-Programing
- Sensors, Relay, & Switches





MIG WELDING TORCH - CONSUMABLE



Mig Welding Torches & Consumable



Auto Shot Blasting Machine

- Shot Blasting wear parts
- Blasting wheel blades
- Blasting wheel side plates
- Blasting wheel curved plates
- Bucket elevator parts
- Screw conveyor parts
- Dust collector filters
- Dust collector air valve



.....

AIR COMPRESSOR

- Air Filters
- Oil Filters
- Oil Separator kit
- Service kit
- Temperature Sensors
- Compressor oil



GRACO PAINT PUMP



.....



- Graco Paint Motor Repair Kit
- Graco Pump Repair Kit
- Graco Section Hose & Accessory
- Air Regulators



**SUPER TARGET
MIDDLE EAST
FZ-LLC**

Contact Us

TEL : +971 2 5597255

CEL : +971 52 7282308

EMAIL : info@supertargetmiddleeast.com

EMAIL : sales@supertargetmiddleeast.com

WEB : www.supertargetmiddleeast.com

Ras Al Khaimah Economic Zone

United Arab Emirates